

350 GALLON CENTER DISCHARGE STAINLESS

FAIRHOPE, AL
800.544.7069

BROUSSARD, LA
888.805.1247

PRECISIONIBC.COM

Believe in better service.



NO.	DATE	DESCRIPTION	BY	APPD.
a	11/20/2008	ITEM 7 NIPPLE WAS 3" LG	LT	
b	11/21/2008	ITEM 36 REVISED	LT	

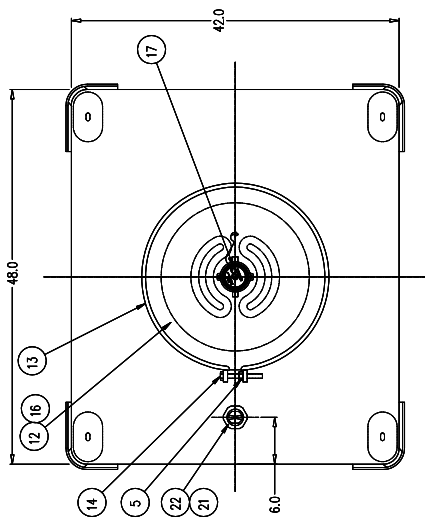
NOTES:

- TANK IS DESIGNED AND CONSTRUCTED IN ACCORDANCE WITH U.N. SPECIFICATIONS
- TANK IS AIR TESTED AT 3 PSI
- ALL WELDS CLEANED OF SLAG AND SPATTER
- TANK INTERIOR AND EXTERIOR ARE ELECTRO-CLEANED
- DRUM LID TO BE INSTALLED BY: STRIKE RING AROUND CIRCUMFERENCE WITH A Mallet THEN TIGHTEN BOLT WITH A WRENCH. REPEAT UNTIL BOLT TIGHTENING RESISTANCE DOES NOT CHANGE (REF: 40 LB-FT)
- ZIN BUNG TO BE INSTALLED 3/8 TO 1/2 ROTATION BEYOND SOLID GASKET CONTACT (REF: 30 LB-FT)
- UN TAG: PUT PRECISION IBC SERIAL NUMBER IN "MFG SERIAL NO." LOCATION

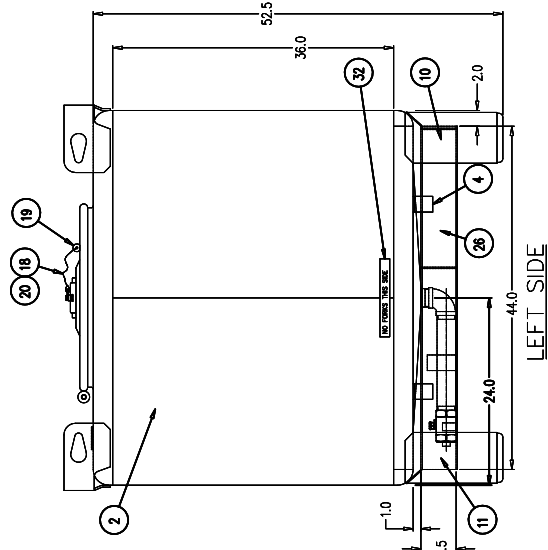
NO.	QTY.	PART NUMBER	DESCRIPTION
36	1	000000005	VALVE SUPPORT 2 X 18 X 10GA 304SS
35	4	000000003	FORK GUARD 2-5/8 X 10 X 10GA 304SS
34	1	357006003	DECAL -PRECISION- ECO SAFE
33	1	897003015	DECAL -PRECISION- CAUTION
32	2	89700247	DECAL NO FORKS THIS SIDE
31	1	89700248	DECAL REVERSE STEM VALVE OPEN/CLOSE
30	1	89700258	DECAL DO NOT PRESSURIZE
29	1	35801480	DECAL PRECISION IBC
28	1	35801485	PLATE UN 31A 304SS PRECISION IBC
27	X	35800115	PLATE 10 X 44 X 3/16 304SS
26	X	35800115	PLATE 18-1/2 X 44 X 3/16 304SS
25	X	35800116	PLATE 4-1/2 X 14 X 3/16 304SS
24	2	35801178	LIFTING LUG 8 X 14 X 1/4 L 304SS
23	2	35801178	LIFTING LUG 8 X 14 X 1/4 L 304SS
22	2	35801151	WELD PATCH 2IN 304SS
21	1	35801151	WELD PATCH 2IN 304SS
20	2	33800433	FERRULE 1/2IN ALUMI DUPLEY
19	1	35100345	LUG 3IN DIA 1/4 HOLE TRIMMED FOR WELD
18	1	33800431	WIRE LINE 1/16 X 1/8 LG W/ 1/8 VINYL
17	1	35800882	FUSIBLE VENT CAP 3IN POLY TEF-CSEKT 316SS
16	1	33100387	GASKET 22-5/16 DIA MULTIPURPOSE EPDM
15	1	35100330	NUT HEX 5/8-11 ZINC PLTD CS
14	1	35800679	BOLTED CLAMP RING 22-5/16 ZINC-PLTD CS
13	1	35800679	BOLTED CLAMP RING 22-5/16 ZINC-PLTD CS
12	1	35801281	ID 22-5/16 DOT 3IN TEE NIPPLE 304SS
11	2	35801859	LEG VAN-AM OVAL LEFT 11.5 X 12GA 304SS
10	2	35801859	LEG VAN-AM OVAL RIGHT 11.5 X 12GA 304SS
9	1	34200833	PLUG PVC 2IN NPT SQ HEAD WHT
8	1	35300580	NIPPLE 2IN X 1-3/4 LG SCH40 TEE 304SS
7	1	35300666	NIPPLE 2IN X 14 LG SCH40 TEE 304SS
6	1	35300529	ELBOW 2IN 150# 90 DEG 304SS
5	1	35400191	VALVE 2IN STD-STEM BV LOCK-HANDLE 316SS
4	8	35801328	PLATE 3-1/2 X 2 X 3/16 304SS
3	1	35801578	BTM 42 X 48 X 10GA W/2R M/D 304SS
2	2	33800141	SHELL 36 X 87-7/8 X 10GA W/PVC 304SS
1	1	35801185	TOP 42 X 48 X 10GA W/2R 304SS

BILL OF MATERIALS

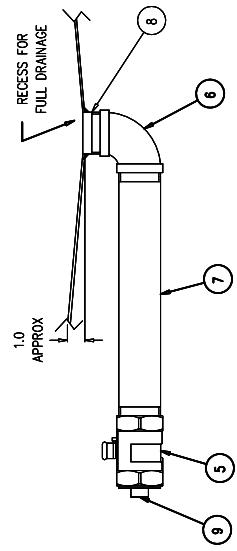
CUSTOMER:	PRECISION IBC
SCALE:	1:10
DATE:	02/20/2008
APPROVED BY:	LT
DESIGNER:	LT
350 GAL C/D 42 X 48 SUPERTAINER SS	
6984-300P513XX	
WREB	



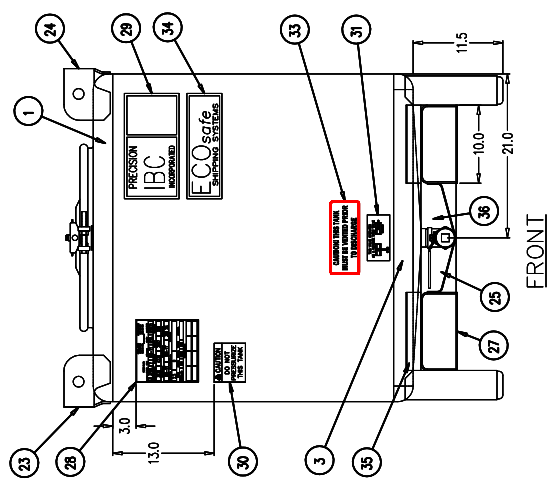
TOP



LEFT SIDE



VALVE ASSEMBLY DETAIL
SCALE: NONE



FRONT

CUSTOMER APPROVAL STATUS

- FABRICATED AS SHOWN
- APPROVED AS NOTED, REVISIONS AS NOTED
- WITH FABRICATOR
- NOT APPROVED AS SHOWN, REVISIONS AS NOTED
- APPROVED FOR APPROVAL

DATE: _____
SIGNATURE: _____
DRAWING ENGINEER/DESIGNER NAME: