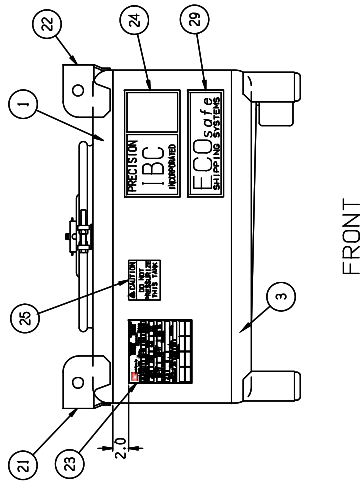
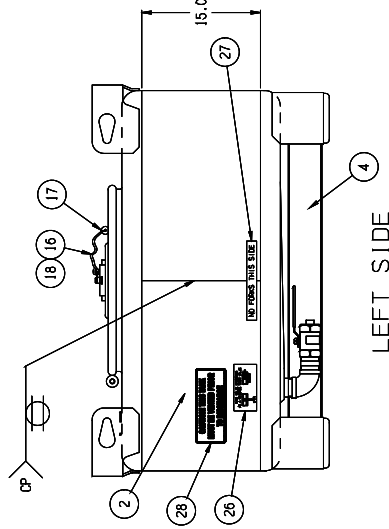
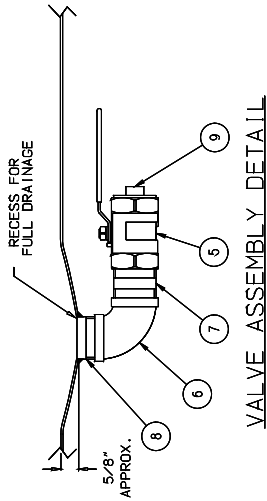
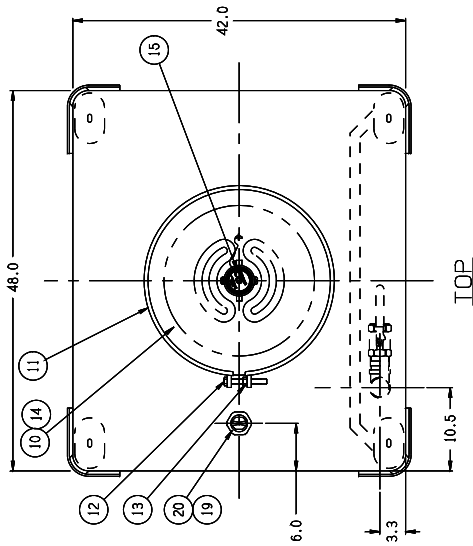


165 GALLON STANDARD STAINLESS

CUSTOMER APPROVAL STATUS	
<input type="checkbox"/>	APPROVED AS SHOWN, PROCESSED WITH FINISHES AND MATERIALS AS NOTED WITH THIS DRAWING.
<input type="checkbox"/>	APPROVED AS SHOWN, REVISIONS AND PROCESSED WITH FINISHES AND MATERIALS AS NOTED WITH THIS DRAWING.
<input type="checkbox"/>	NOT APPROVED AS SHOWN, REVISIONS AS NOTED AND RESUBMIT FOR APPROVAL.
SIGNATURE: _____	
DATE: _____	
DIMENSIONS IN BOLD FIELDS ARE BIDDING	



NOTES:

- TANK IS DESIGNED AND CONSTRUCTED IN ACCORDANCE WITH U.N. SPECIFICATIONS
- TANK IS AIR TESTED AT 3 PSI
- ALL WELDS CLEANED OF SLAG AND SPATTER
- TANK INTERIOR AND EXTERIOR ARE ELECTRO-CLEANED
- DRUM LID TO BE INSTALLED BY: STRIKE RING AROUND CIRCUMFERENCE WITH A Mallet THEN TIGHTEN THE BOLT WITH A WRENCH. REPEAT UNTIL BOLT TIGHTENING RESISTANCE DOES NOT CHANGE (REF: 40 LB-FT)
- 2 IN BUNG TO BE INSTALLED 3/8 TO 1/2 ROTATION BEYOND SOLID GASKET CONTACT (REF: 30 LB-FT)
- UN TAG: PUT PRECISION IBC SERIAL NUMBER IN "MFG SERIAL NO.," LOCATION

NO.	DATE	DESCRIPTION	BY
a	9/28/2007	ECR 626: CHANGE BOLT FROM 35000194 TO 35000183	LT
b	10/3/2007	ECR 633: ADD NOTE 7 AND ECOSAFE DECAL	LT

29	1	35700603	DECAL -PRECISION- ECO SAFE
28	1	99700315	DECAL -PRECISION- CAUTION
27	1	99700247	DECAL NO FORKS THIS SIDE
26	1	99700248	DECAL REVERSE STEM VALVE OPEN/CLOSE
25	1	99700258	DECAL DO NOT PRESSURIZE
24	1	35901490	DECAL PRECISION IBC
23	1	35901485	PLATE UN 31A 304SS PRECISION IBC
22	2	35901179	LIFTING LUG 6 X 14 X 1/4 L 304SS
21	2	35900798	LIFTING LUG 6 X 14 X 1/4 R 304SS
20	1	35900798	PLUG 2 IN HEX HEAD WH EPDM GASKET 304SS
19	1	35901151	WELD PATCH 2 IN 304SS
18	2	35900433	FERRULE 1/8 IN ALUM DUPLEX
17	1	35100345	LUG 1 IN DIA 1/4 HOLE TRIMMED FOR WELD
16	1	33900431	WIRE LINE 1/16 X 8 LG W/ 1/8 VINYL
15	1	35900882	FUSIBLE VENT 3 IN POLY TEF-GSKT 316SS
14	1	33100387	GASKET 22-5/16 DIA MULTIPURPOSE EPDM
13	1	35100330	NUT HEX 5/8-11 ZINC PLTD CS
12	1	35900183	BOLT HEX 5/8-11 X 5 FULL THRD ZINC PLTD
11	1	35900679	BOLTED CLAMP RING 22-5/16 ZINC-PLTD CS
10	1	35901281	LID 22-5/16 DOT 3 IN TOE NIPPLE 304SS
9	1	34200833	PLUG PVC 2 IN NPT SQ HEAD WH
8	1	35300580	NIPPLE 2 IN X 1-3/4 LG SCH80 TOE 304SS
7	1	35300587	NIPPLE 2 IN X 3 LG SCH40 TBE 304SS
6	1	35300529	ELBOW 2 IN 150# 90 DEG 304SS
5	1	35400162	VALVE 2 IN REV-STEM BV LOCK-HNDL 316SS
4	1	35901173	VALVE GUARD 4-1/4 X 43-1/2 X 10GA 304SS
3	1	35901183	BTM 42 X 48 X 10GA W/2R 304SS
2	.5	33800141	SHEET 15 X 67-7/8 X 10GA W/PVC 304SS
1	1	35901185	TOP 42 X 48 X 10GA W/2R 304SS

BILL OF MATERIALS

CUSTOMER:	
JOB:	
SCALE:	1:10
DATE:	09/13/07
DESCRIPTION:	165 GAL 42 X 48 SUPERTAINER SS
APPROVED BY:	LT
CHECKED BY:	WFB
DRAWING NUMBER:	19120-1b

PRECISION IBC



Believe in better service.

PRECISIONIBC.COM

BROUSSARD, LA
888.805.1247

FAIRHOPE, AL
800.544.7069