

550 GALLON CENTER DISCHARGE STAINLESS

FAIRHOPE, AL
800.544.7069

BROUSSARD, LA
888.805.1247

PRECISIONIBC.COM

Believe in better service.



| NO. | DATE | REVISION | DESCRIPTION | BY | APPD. |
|-----|------------|---------------------------|-------------|-----|-------|
| a | 11/20/2008 | ITEM 7 NIPPLE WAS 3" LG | | LT | |
| b | 11/21/2008 | ITEM 36 REVISED | | LT | |
| c | 02/23/2009 | CHANGE LEGS & BOTTOM HEAD | | WRB | |
| d | 04/02/2009 | CHANGE LEGS | | WRB | |

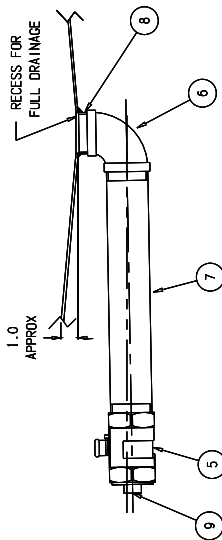
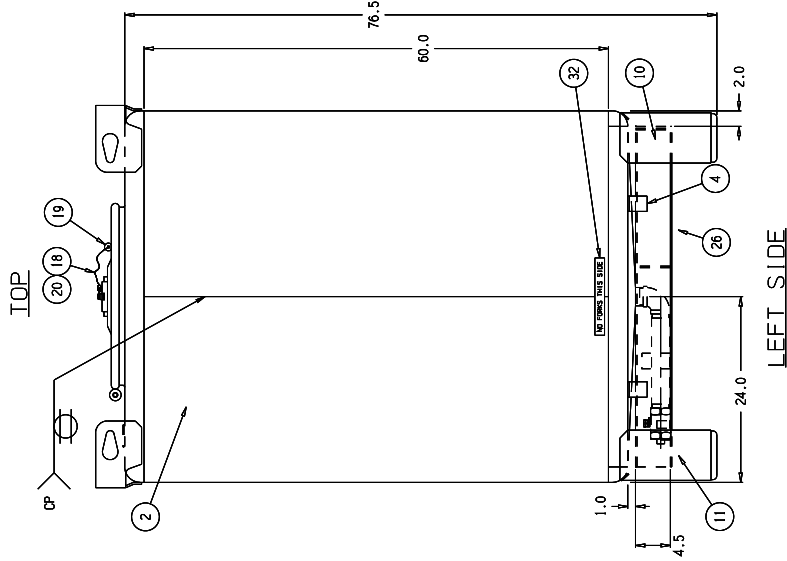
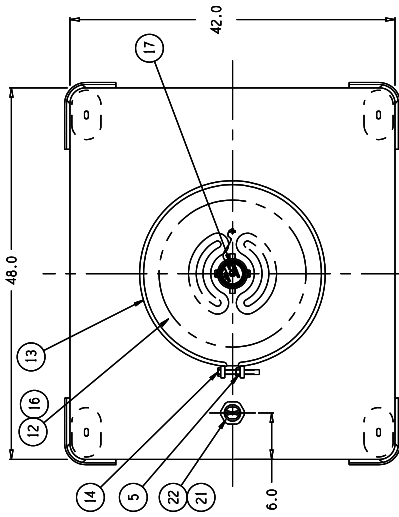
NOTES:

- TANK IS DESIGNED AND CONSTRUCTED IN ACCORDANCE WITH U.N. SPECIFICATIONS
- TANK IS AIR TESTED AT 3 PSI
- ALL WELDS CLEANED OF SLAG AND SPATTER
- TANK INTERIOR AND EXTERIOR ARE ELECTRO-CLEANED
- DRUM LID TO BE INSTALLED BY: STRIKE RING AROUND CIRCUMFERENCE WITH A Mallet THEN TIGHTEN BOLT WITH A WRENCH. REPEAT UNTIL BOLT TIGHTENING RESISTANCE DOES NOT CHANGE (REF: 40 LB-FT)
- 2 IN BUNG TO BE INSTALLED 3/8 TO 1/2 ROTATION BEYOND SOLID GASKET CONTACT (REF: 30 LB-FT)
- U.N. TAG: PUT PRECISION IBC SERIAL NUMBER IN *MFG SERIAL NO.* LOCATION

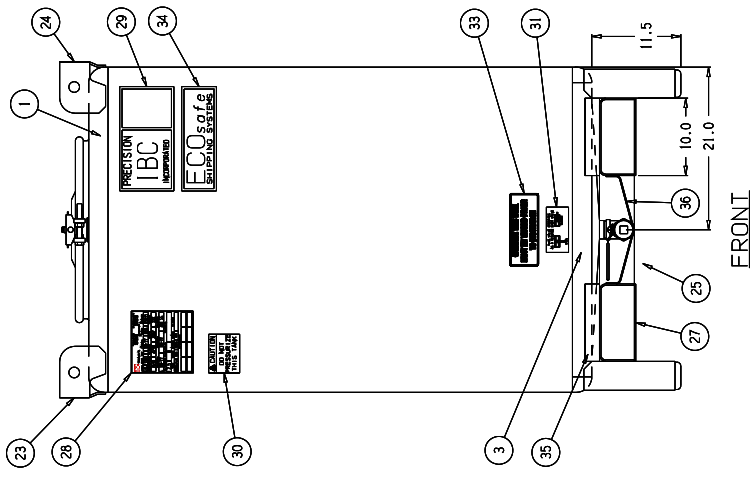
| NO. | QTY. | PART NUMBER | DESCRIPTION |
|-----|------|-------------|---|
| 36 | 1 | 00000005 | VALVE SUPPORT 2 X 18 X 10GA 304SS |
| 35 | 4 | 00000006 | DRUM GUSSET 18 X 10 X 10GA 304SS |
| 34 | 1 | 35700005 | DECAL - PRECISION IBC SAFE |
| 33 | 1 | 09700015 | DECAL - PRECISION IBC |
| 32 | 2 | 09700027 | DECAL NO FORKS THIS SIDE |
| 31 | 1 | 09700246 | DECAL REVERSE STEM VALVE OPEN/CLOSE |
| 30 | 1 | 09700258 | DECAL DID NOT PRESSURIZE |
| 29 | 1 | 35901490 | DECAL PRECISION IBC |
| 28 | 1 | 35901485 | PLATE UN 31A 304SS PRECISION IBC |
| 27 | X | 33800115 | PLATE 10 X 44 X 3/16 304SS |
| 26 | X | 33800115 | PLATE 18-1/2 X 44 X 3/16 304SS |
| 25 | X | 33800115 | PLATE 4-1/2 X 14 X 3/16 304SS |
| 24 | 2 | 35901179 | LIFTING LUG 6 X 14 X 1/4 L 304SS |
| 23 | 2 | 35901179 | LIFTING LUG 6 X 14 X 1/4 R 304SS |
| 22 | 1 | 35901511 | PLUG 2 IN HEX HEAD WH EPDM GASKET 304SS |
| 21 | 2 | 339000433 | FERRULE 1/8 IN ALUM DUPLEX |
| 20 | 2 | 35900345 | LUG LIN DIA 1/4 HOLE TRIMMED FOR WELD |
| 19 | 1 | 35100345 | LUG LIN DIA 1/4 HOLE TRIMMED FOR WELD |
| 18 | 1 | 339000431 | WIRE LINE 1/16 X 8 LG W/ 1/8 VINYL |
| 17 | 1 | 35900882 | FUSIBLE VENT CAP 3 IN POLY TEF-GSKT 316SS |
| 16 | 1 | 33100387 | GASKET 22-5/16 DIA MULTIPURPOSE EPDM |
| 15 | 1 | 35100330 | NUT HEX 5/8-11 ZINC PLTD CS |
| 14 | 1 | 35000183 | BOLT HEX 5/8-11 X 5 FULL THRD ZINC PLTD |
| 13 | 1 | 35900679 | BOLTED CLAMP RING 22-5/16 ZINC-PLTD CS |
| 12 | 1 | 35901281 | LID 22-5/16 DOT 3 IN TIE NIPPLE 304SS |
| 11 | 2 | 35901859 | LEG OVAL LEFT 8-1/2 X 12GA 304SS |
| 10 | 2 | 34200833 | LEG PVC 2 IN NPT 5/8 HEAD WHIT |
| 9 | 1 | 353 | NIPPLE 2 IN X 1-1/4 LG SCH80 TIE 304SS |
| 8 | 1 | 35300686 | NIPPLE 2 IN X 14 LG SCH40 TIE 304SS |
| 7 | 1 | 35300529 | ELEM 2 IN 150# 90 DEG 304SS |
| 6 | 1 | 35400191 | VALVE 2 IN STD-STEM BY LOCK-HANDLE 316SS |
| 5 | 4 | 35201868 | PLATE 2 X 1/8 X 10GA 304SS |
| 4 | 6 | 35201868 | PLATE 2 X 1/8 X 10GA 304SS |
| 3 | 2 | 33800141 | SHELL 60 X 87-7/8 X 10GA W/RC 304SS |
| 2 | 1 | 35201855 | TOP 42 X 48 X 10GA W/2R 304SS |

BILL OF MATERIALS

| | |
|-----------------|------------------------------------|
| CUSTOMER: | PRECISION IBC |
| DATE: | 02/01/2008 |
| SCALE: | 1:10 |
| APPROVED BY: | WRB |
| CHECKED BY: | LT |
| DESCRIPTION: | 550 GAL C/D 42 X 48 SUPERTAINER SS |
| DRAWING NUMBER: | 19794-1d |
| 6954500P51303 | |



VALVE ASSEMBLY DETAIL
SCALE: NONE



CUSTOMER APPROVAL STATUS

| | |
|--------------------------|--|
| <input type="checkbox"/> | APPROVED AS SHOWN PROVIDED WITH |
| <input type="checkbox"/> | APPROVED AS SHOWN PROVIDED WITH TYPICAL |
| <input type="checkbox"/> | NOT APPROVED AS SHOWN, REVISIONS INDICATED |
| <input type="checkbox"/> | ADD REVISION FOR APPROVAL |

REVISION: _____
DATE: _____
DRAWING NOT VALID UNLESS SIGNED