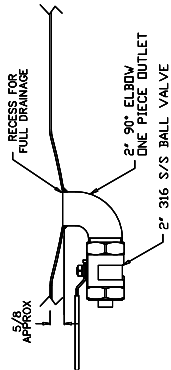
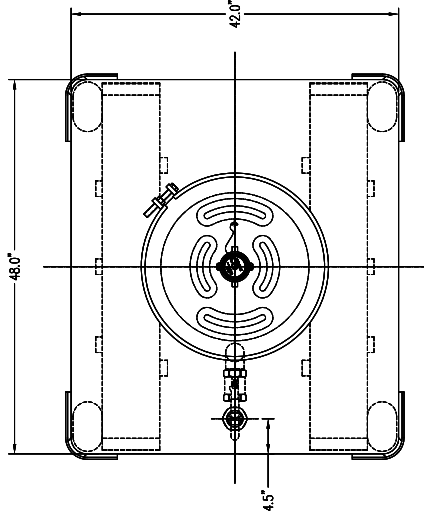


SS-350 GALLON FRONT CENTER DISCHARGE TANK

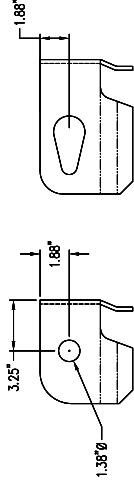
NO.	DATE	DESCRIPTION	BY	APPR.

NOTES:

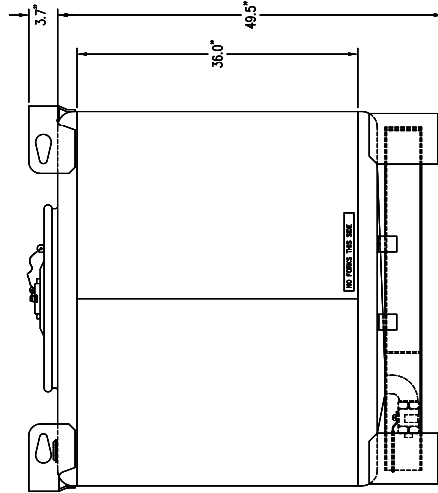
1. TANK IS DESIGNED AND CONSTRUCTED IN ACCORDANCE WITH U.N. SPECIFICATIONS
2. TANK IS AIR TESTED AT 3 PSI
3. ALL WELDS CLEANED OF SLAG AND SPATTER
4. TANK INTERIOR AND EXTERIOR ARE ELECTRO-CLEANED
5. DRUM LID TO BE INSTALLED BY: STRIKE RING AROUND CIRCUMFERENCE WITH A MALLET THEN TIGHTENING WITH A WRENCH. REPEAT UNTIL BOLT TIGHTENING RESISTANCE DOES NOT CHANGE (REF: 40 LB-FT)
6. 2IN BUNG TO BE INSTALLED 1/8 TO 1/6 ROTATION BEYOND SOLID GASKET CONTACT (REF: 30 LB-FT)
7. UN TAG: PUT PRECISION IBC SERIAL NUMBER IN "MFG SERIAL NO." LOCATION



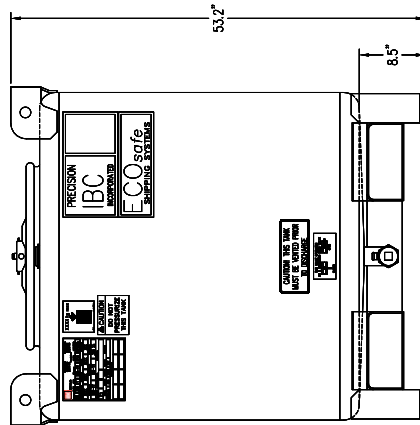
1 PC VALVE ASSEMBLY DETAIL
SCALE: NONE



LIFTING LUG DETAIL



RIGHT SIDE



FRONT

ALL DIMENSIONS, TOLERANCES AND INFORMATION ON THIS PRINT MUST BE CONSIDERED REFERENCED TO THE DRAWING SHEET NUMBER AND DATE OF ISSUE. CONSULT THE DRAWING NUMBER FOR THE LATEST REVISIONS OF THE DRAWING (SEE HISTORY) OF THE PRINT.

BILL OF MATERIALS	
PRECISION IBC FAIRHOPE, AL PHONE: (251) 990-6789 WWW.PRECISIONIBC.COM	
CUSTOMER:	350 GALLON S/S FRONT C/D TANK-1PC OUTLET
SCALE: 1:10	APPROVED BY: LT
DATE: 10/08/14	CREATED BY: WRS
DESCRIPTION:	350 GAL 42 X 48 FRT-CD SUPERTAINER S/S
	DRAWING NUMBER: 6984300P51330

Believe in better service.



PRECISIONIBC.COM

BROUSSARD, LA
888.805.1247

FAIRHOPE, AL
800.544.7069