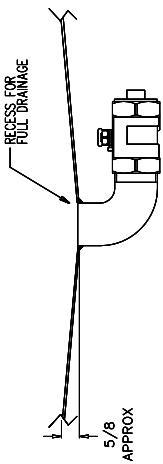
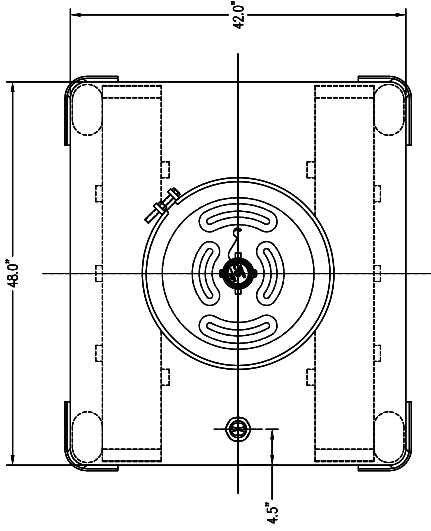


# SS-550 GALLON FRONT CENTER DISCHARGE TANK

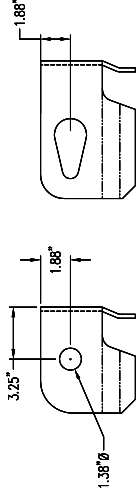
REV.	DATE	DESCRIPTION	BY	APPD.

**NOTES:**

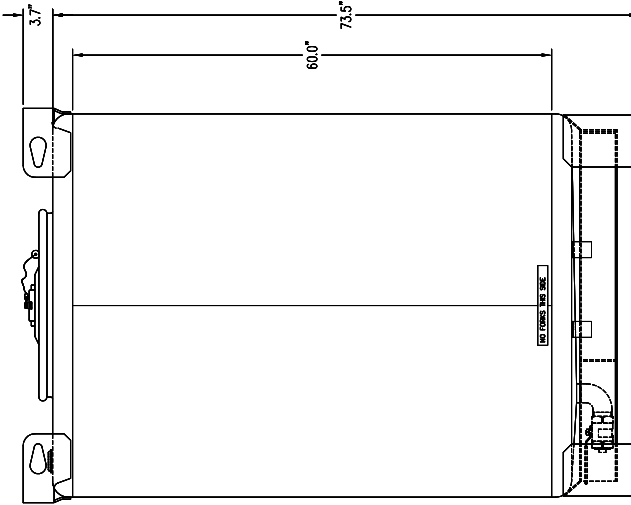
1. TANK IS DESIGNED AND CONSTRUCTED IN ACCORDANCE WITH U.N. SPECIFICATIONS
2. TANK IS AIR TESTED AT 3 PSI
3. ALL WELDS CLEANED OF SLAG AND SPATTER
4. TANK INTERIOR AND EXTERIOR ARE ELECTRO-CLEANED
5. DRUM LID TO BE INSTALLED BY: STRIKE RING AROUND CIRCUMFERENCE WITH A Mallet THEN TIGHTENING WITH A WRENCH. REPEAT UNTIL BOLT TIGHTENING RESISTANCE DOES NOT CHANGE (REF: 40 LB-FT)
6. 2IN BUNG TO BE INSTALLED 1/8 TO 1/6 ROTATION BEYOND SOLID GASKET CONTACT (REF: 30 LB-FT)
7. UN TAG: PUT PRECISION IBC SERIAL NUMBER IN "MFG SERIAL NO." LOCATION



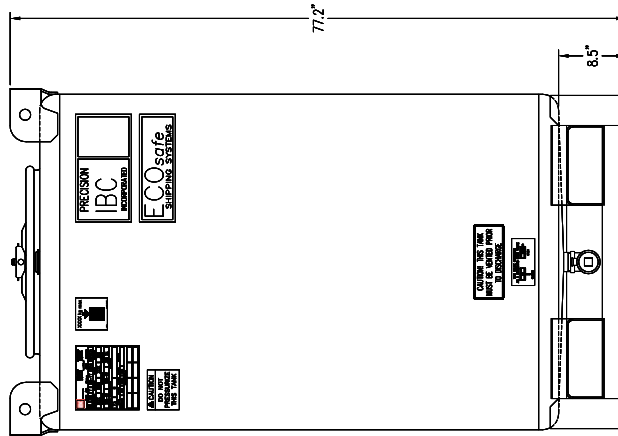
VALVE ASSEMBLY DETAIL  
SCALE: NONE



LIFTING LUG DETAIL



FRONT



LEFT SIDE

ALL DIMENSIONS, DECIMALS, AND INFORMATION ON THIS PRINT MUST BE CHECKED FOR ACCURACY. PRECISION IBC ASSUMES NO LIABILITY FOR ANY DIMENSIONS OR INFORMATION NOT SHOWN OR NOT PRINTED HEREON.

BILL OF MATERIALS	
PRECISION IBC	
FAIRHOPE, AL PHONE: (251) 990-6789 WWW.PRECISIONIBC.COM	
CONTRACT: 550 GALLON S/S FRONT C/D 1PC OUTLET TANK	
SCALE: 1:10	APPROVED BY: DLO
DATE: 08/13/14	DRAWN BY: DLO
DESCRIPTION: 550 GAL 42 X 48 FRT-CD SUPERTAINER S/S	
DRAWING NUMBER: 6984500P51338	



*Believe in better service.*

PRECISIONIBC.COM

BROUSSARD, LA 888.805.1247  
FAIRHOPE, AL 800.544.7069