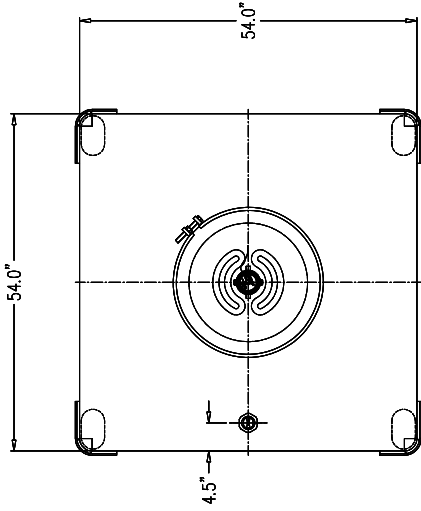


SS-793 GALLON FRONT CENTER DISCHARGE TANK

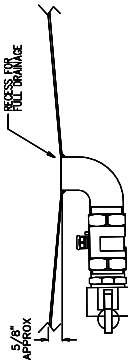
NO.	DATE	DESCRIPTION	BY	APP'D.

NOTES:

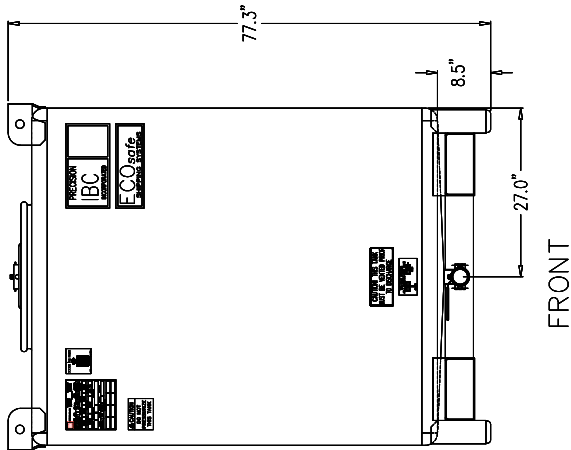
- TANK IS DESIGNED AND CONSTRUCTED IN ACCORDANCE WITH U.N. SPECIFICATIONS
- TANK IS AIR TESTED AT 3 PSI
- ALL WELDS CLEANED OF SLAG AND SPATTER
- TANK INTERIOR AND EXTERIOR ARE ELECTRO-CLEANED
- DRUM LID TO BE INSTALLED BY: STRIKE RING AROUND CIRCUMFERENCE WITH A Mallet THEN TIGHTENING WITH A WRENCH. REPEAT UNTIL BOLT TIGHTENING RESISTANCE DOES NOT CHANGE. (REF: 40 LB-FT)
- ZIN BUNG TO BE INSTALLED 1/8 TO 1/6 ROTATION BEYOND SOLID GASKET CONTACT (REF: 30 LB-FT)
- UN TAG: PUT PRECISION IBC SERIAL NUMBER IN "MFG SERIAL NO." LOCATION



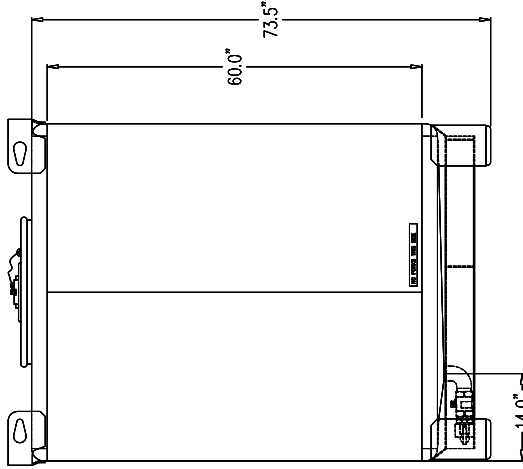
TOP



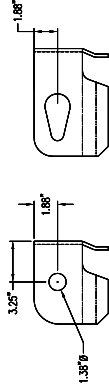
VALVE ASSEMBLY DETAIL
SCALE: NONE



FRONT



RIGHT SIDE



LIFTING LUG DETAIL

BILL OF MATERIALS	
PRECISION IBC	
FAIRHOPE, AL PHONE:(251) 990-6788 WWW.PRECISIONIBC.COM	
CUSTOMER: 793 GALLON S/S FRONT C/D 1PC OUTLET TANK	
SCALE: 1:10	ISSUED BY: DLO
DATE: 12/10/15	ISSUED BY: DLO
CUSTOMER: 793 GAL 42 X 48 FRT-CD SUPERTAINER S/S	
DRAWING NUMBER: 6984000P-51327	

ALL DIMENSIONS UNLESS OTHERWISE NOTED ARE IN INCHES AND DECIMALS THEREOF. DIMENSIONS IN PARENTHESIS ARE FOR INFORMATION ONLY AND ARE NOT TO BE USED FOR FABRICATION UNLESS SPECIFICALLY NOTED OTHERWISE. DIMENSIONS ARE THE PROPERTY OF THE IBC.



Believe in better service.

PRECISIONIBC.COM

BROUSSARD, LA 888.805.1247
FAIRHOPE, AL 800.544.7069